

P70, P72, and P170 Series Controls for Low Pressure Applications

Application

P70, P72, and P170 Series Controls for Low Pressure Applications provide low-side pressure control on commercial refrigeration and air-conditioning applications.

IMPORTANT: Use the P70, P72, and P170 Series Controls for Low Pressure Applications only as an operating control. Where failure or malfunction of a P70, P72, or P170 pressure control could lead to personal injury or property damage to the controlled equipment or other property, additional precautions must be designed into the control system. Incorporate and maintain other devices such as supervisory or alarm systems or safety or limit controls intended to warn of, or protect against, failure or malfunction of the P70, P72, or P170 pressure control.

P70A and P170A type models with Single-Pole Single-Throw (SPST) Open-Low switch action are the most popular models and are typically used for Open-Low operation and pump-down control.

P70 and P170 Series control models are also available with SPST Open-High switch action and are typically used for capacity control. Control models with Single-Pole Double-Throw (SPDT) or 4-wire, 2-circuit switch action allow users to install alarm devices or other control circuits.

P72 Series control models have a Double-Pole Single-Throw (DPST) switch with load-carrying contacts that provide direct control of 208-240 VAC single-phase motors up to 3 hp, 480 VAC single-phase, non-compressor motors, and 208-220 VAC 3-phase motors up to 5 hp. See Table 6.

These controls are available in several pressure ranges and are compatible with most common refrigerants. They may also be used on air, water, and other non-corrosive fluid applications. Ammonia-compatible models are also available. See Table 2.

The **MICRO-SET®** option provides fine adjustment of the differential setting for precision pressure control of critical low pressure applications.

Some models are available with **Limited Knob Adjustment**, which restricts adjustment of the pressure settings and deters overadjustment or tampering. See *Limited Knob Adjustment*.

The **Manual Reset Lockout** mechanism does not allow the control to automatically reset after the control has Cutout, providing shutdown capability for unmonitored equipment. See *Manual Reset Operation*.

NEMA 1 enclosures are standard on most models. **NEMA 3R enclosures** are available on select models.

CAUTION: Risk of Property Damage.

Mount the pressure control separately from the electrical cabinet and seal all electrical piping to prevent ammonia from migrating to electrical components. Where there may be exposure to ammonia, use only ammonia compatible control modules and pressure connections. System shutdown due to improper adjustment may cause property damage.

Dimensions

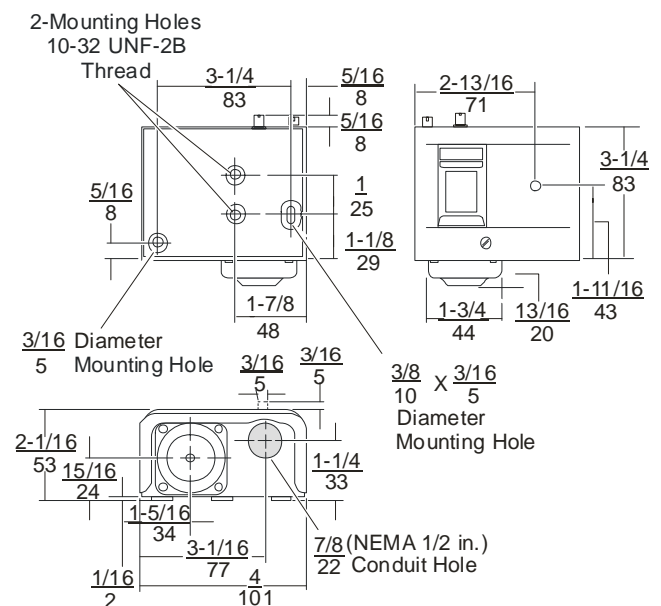


Figure 1: Dimensions of P70, P72, and P170 Pressure Controls with NEMA 1 Enclosures, in. (mm)

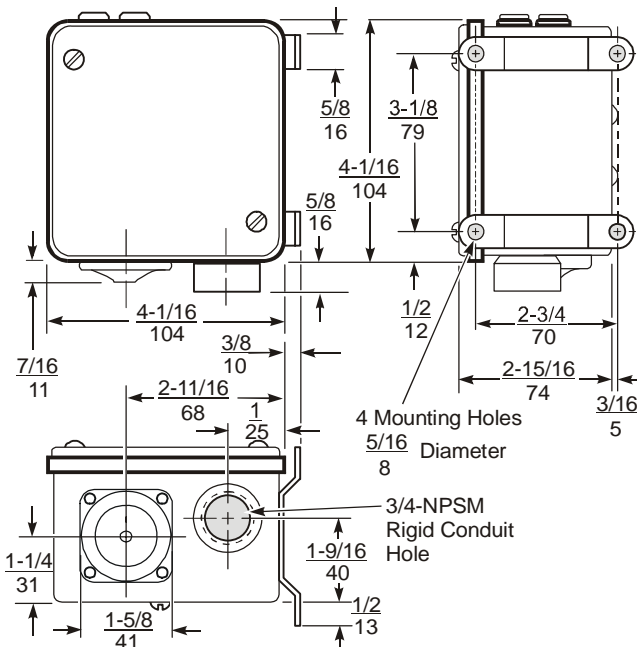


Figure 2: Dimensions of P70, P72, and P170 Pressure Controls with NEMA 3R Enclosures, in. (mm)

Note: These dimensions are nominal and are subject to accepted manufacturing tolerances and application variables.

Mounting

Mount the control in an accessible position, where the control and pressure-connection line are not subject to damage.

Mount the pressure control upright and level. Position the pressure-connection line to allow drainage away from control bellows. Pressure tap-points must be located on the top side of the refrigerant lines. This reduces the possibility of oil, liquids, or sediment accumulating in the pressure connection or control bellows, which could cause control malfunction.

Controls with NEMA 1 enclosures may be mounted on horizontal or vertical flat surfaces.

Use two screws or bolts through the two outer holes on the back of the control case when mounting control directly to a flat vertical surface.

Use the two inner holes with the Universal Mounting Bracket with screws supplied when mounting the control to a flat horizontal surface. See Figure 3.

Controls with NEMA 3R enclosures are designed to be mounted in a level, upright position with the sensing element and conduit connection facing down. All gaskets must be in place. Mounting NEMA 3R enclosures in any position other than upright and level may trap water in the enclosure and submerge internal control components.

IMPORTANT: Use only the mounting screws supplied with the Universal Mounting Bracket to avoid damaging internal components. Be careful not to distort or bend the control case when mounting the control to an uneven surface. Using other screws or bending the control case will void the warranty.

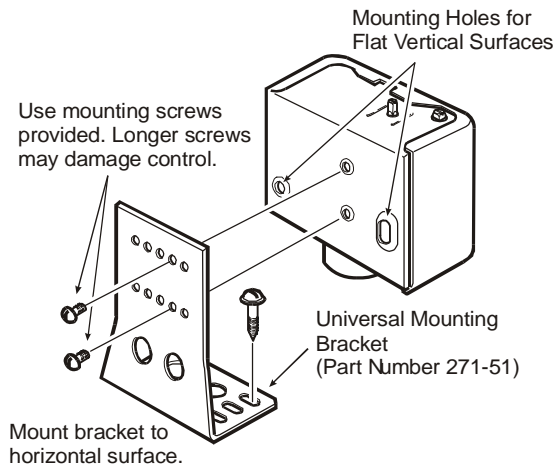


Figure 3: Mounting the P70, P72, and P170 Low Pressure Controls with NEMA 1 Enclosures

Pressure Connections

P70, P72, and P170 low pressure controls are connected to the controlled equipment by a capillary or flexible hose (except ammonia models). Controls are available with a variety of pressure-connection styles.

Follow these guidelines when installing pressure-connection lines:

IMPORTANT: If these controls are installed on equipment that contain hazardous or regulated materials, such as refrigerants or lubricants, you must comply with all standards and regulations governing the containment and handling of those materials.

Avoid Sharp Bends in the Capillary Tube

Sharp bends can weaken or kink capillary tubes, which may result in leaks or restrictions.

Allow for Slack in the Capillary Tube

Leaving a little slack in the capillary tube helps dampen mechanical vibration that can weaken or damage capillary tubes.

Coil and Secure Excess Capillary Tubing

Carefully loop any excess capillary tubing into smooth, circular coils (approximately 2 to 3 in. [50 to 75 mm] diameter). Securely fasten the coiled tubing.

Avoid Contact between the Capillary Tubing and Sharp or Abrasive Objects

Vibration of sharp or abrasive objects in contact with capillary tubes can result in leaks.

Do Not Overtighten Flare Nuts on Pressure Connection Line Fittings

Overtightening flare connections may damage the threads on the flare nuts or flare connectors and may result in leaks. Do not exceed 9 ft-lb (12 N-m) of torque when tightening brass flare connections.

Avoid Severe Pressure Pulsation at Pressure Connections

Install pressure-connection lines to pressure tap-points away from the compressor to minimize the effects of pressure pulsation from reciprocating compressors.

IMPORTANT: After installing the control, evacuate pneumatic and pressure-connection lines to remove air, moisture, and other contaminants in a manner consistent with applicable environmental regulations and standards.

Wiring

P70, P72, and P170 controls for low pressure applications are available with several switch options and electrical ratings. Check the label inside the control cover for model number, switch action, and electrical rating. See Table 1 for switch actions and models. Also see *Electrical Ratings*.

Check the wiring terminal designations on the control switch-block, and refer to the following guidelines and applicable wiring diagram when wiring the control.

⚠ WARNING: Risk of Electric Shock. Disconnect each of the multiple power supplies before making electrical connections. More than one disconnect may be required to completely de-energize equipment. Contact with components carrying hazardous voltage can cause electric shock and may result in severe personal injury or death.

IMPORTANT: Use copper conductors only. Make all wiring connections in accordance with local, national, and regional regulations. Do not exceed the control's electrical ratings.

IMPORTANT: Use only the terminal screws that are supplied with the switch-block. Using other screws may cause damage to the switch-block and will void the warranty.

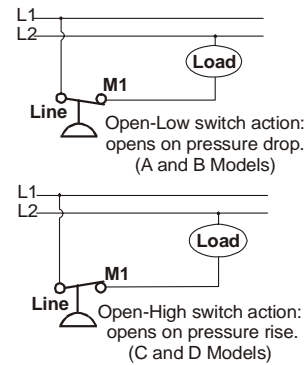


Figure 4: Typical Wiring for SPST Open-Low Switch and Open-High Switch (P70A, B, C, D and P170A, C, D Type Models)

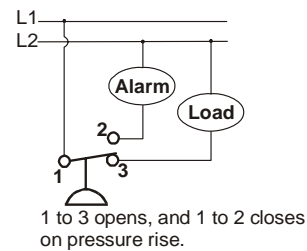


Figure 5: Typical Wiring for SPDT Switch (P70E and F Type Models)

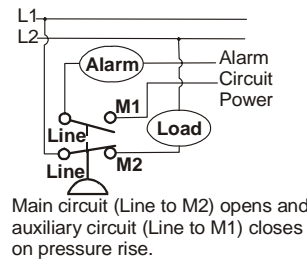


Figure 6: Typical Wiring for 4-Wire, 2-Circuit Switch (P70G and H Type Models)

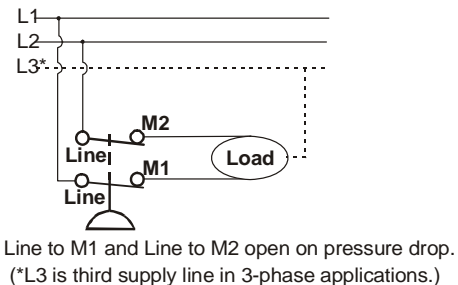


Figure 7: Typical Wiring for DPST Switch (P72A and B Type Models)

Table 1: Single Pressure Controls Switch Action, Low Events, High Events, Model Types, and Electrical Rating Table References

Switch and Action	Low Event	High Event	Model Types - Electrical Rating Table Reference
Single-Pole Single-Throw (SPST) Open-Low	Cutout (Opens Line to M1)	Cut In (Closes Line to M1)	P70A, P70B, P170A See Table 3.
SPST Open-High	Cut In (Closes Line to M1)	Cutout (Opens Line to M1)	P70C, P70D, P170C, P170D See Table 3.
Single-Pole Double-Throw (SPDT)	Opens 1 to 2 and Closes 1 to 3	Closes 1 to 2 and Opens 1 to 3	P70E See Table 4.
4-Wire, 2-Circuits, 1 N.O., 1 N.C. Open-Low	Cutout (Opens M2 to Line and Closes M1 to Line)	Cut In (Closes M2 to Line and Opens M1 to Line)	P70G, P70H See Table 5.
4-Wire, 2-Circuits, 1 N.O., 1 N.C. Open-High	Cut In (Closes M2 to Line and Opens M1 to Line)	Cutout (Opens M2 to Line and Closes M1 to Line)	P70J, P70K, P170K See Table 5.
Double-Pole Single-Throw (DPST) Open-Low	Cutout (Opens M1 to Line and M2 to Line)	Cut In (Closes M1 to Line and M2 to Line)	P72A, P72B See Table 6.
DPST Open-High	Cut In (Closes M1 to Line and M2 to Line)	Cutout (Opens M1 to Line and M2 to Line)	P72C, P72D See Table 6.

Adjustments

Adjustment of the P70, P72, and P170 low pressure controls varies, depending on the model. The following guidelines and diagrams illustrate the procedures for adjusting these controls. Refer to the product label inside the control cover for model number and switch action, and check the front of the control cover to determine if the control is an All-Range or MICRO-SET model. See Table 1 for switch action, low event, and high event of the various control models. See Figure 8 for an illustration and instructions on control adjustments.

Adjusting All-Range Controls

All-Range pressure controls have scaleplates that display the Cut In and Cutout setpoints. (See the visible scale on the control.) Turn the range screw to adjust the Cut In and Cutout setpoints up or down simultaneously while maintaining a constant pressure differential. Turn the differential screw to adjust (only) the low event on the left side of the scale (which changes the differential pressure value).

Adjusting MICRO-SET Controls

MICRO-SET low-side pressure controls have scaleplates that display the Cut In setpoint and Differential setting. (See visible scale on control.) Turn

the range screw to adjust the Cut In setpoint on the right side of the scale. Turn the differential screw to adjust the differential setting on the left side (which changes the Cutout pressure value).

IMPORTANT: Do not adjust pointers beyond the highest or lowest indicator marks on the control's pressure scale. Adjusting pointers beyond indicator marks may damage screw threads, may cause inaccurate control operation, and will void the warranty.

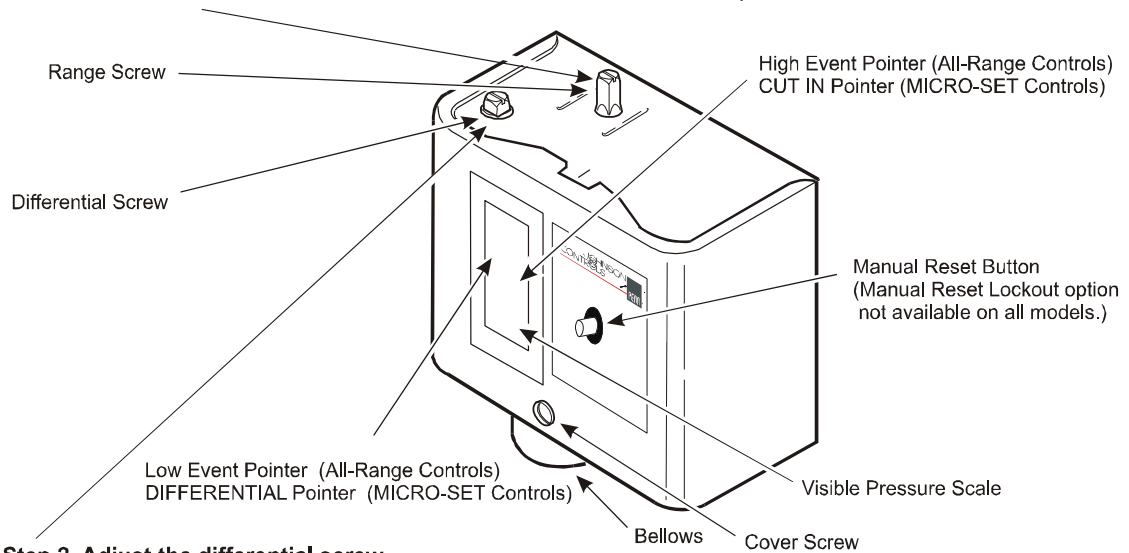
IMPORTANT: Use the pressure control settings recommended by the manufacturer of the controlled equipment. Do not exceed the pressure ratings of the controlled equipment or any of its components when checking pressure control operation or operating the controlled equipment.

IMPORTANT: After mounting and wiring control, attach a reliable set of gauges to the controlled equipment, and operate the equipment (at least) three cycles at the pressures necessary to verify control setpoints and proper equipment operation.

Step 1. Set high event by adjusting range screw.

All-Range Controls: Turn screw clockwise to raise high event.

MICRO-SET Controls: Turn screw clockwise to lower CUT IN setpoint.



Step 2. Adjust the differential screw.

All-Range Controls: Turning the differential screw changes the low event. Turn screw clockwise to lower Low Event.

MICRO-SET Controls: Turning the differential screw changes the differential setting. Turn screw clockwise to increase DIFFERENTIAL.

Figure 8: Adjusting P70, P72, and P170 Controls for Low Pressure Applications

Limited Knob Adjustment

Some models are supplied with a Limited Knob Adjustment Kit which limits adjustments to the pressure control and helps to deter over-adjustment or tampering.

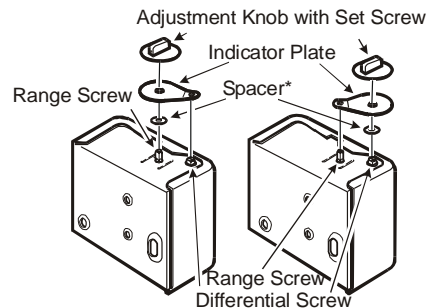
To lock the differential setting and allow limited adjustment of the low event and high event setpoints, install the knob on the range screw.

To lock the high event setpoint and allow limited adjustment of the low event setpoint (on All-Range controls) or differential setting (on MICRO-SET controls), install the knob on the differential screw.

To install the Limited Knob Adjustment Kit:

1. Adjust control pointers to desired high event and low event setpoints (on All-Range controls) or differential setting (on MICRO-SET controls).
2. Place spacer on the proper adjustment screw.
 - All-Range controls (with Limited Knob Adjustment Kit) have round and knurled adjustment screws; the spacer must always be placed on the range screw.
 - MICRO-SET controls have square adjustment screws. Always place the spacer on the same adjustment screw as the knob.

3. Place the indicator plate, as shown in Figure 9, to lock either the range screw or differential screw in the desired setting.
4. Install the knob on the other adjustment screw and tighten the setscrew. A stop on the bottom of the knob limits screw adjustment to less than one turn.



Installation of Knob Kit to Lock Differential Screw and Allow Limited Adjustment of Range Screw

Installation of Knob Kit to Lock Range Screw, and Allow Limited Adjustment of Differential Screw

*On MICRO-SET controls, place spacer on same adjustment screw as knob. On All-Range controls, always place spacer on range screw.

Figure 9: Installing Limited Knob Adjustment Kit

Manual Reset Operation

Pressure controls with the Manual Reset option lock out when they reach Cutout pressure and must be manually reset by the user to restart the controlled equipment. The manual reset mechanism is **trip-free** and cannot be overridden by blocking or tying the reset button down.

On equipment with locked out controls, first determine and remedy the cause of the lockout, and allow the sensed pressure to return to the Cut In setpoint. Then, press and release the reset button on the front of the control to restore operation of the controlled equipment.

Table 2: Standard P70, P72 and P170 Control Models for Low Pressure Applications

Model Number	Switch Action	Range in. Hg to psig (kPa)	Differential psi (kPa)	Pressure Connection	Maximum Working Pressure (MWP) psig (kPa)
MICRO-SET Control Models (For Noncorrosive Refrigerants)					
P70AB-12	SPST Open-Low	12 in. Hg to 80 psig (-41 to 551 kPa)	Minimum 5 (34) Maximum 35 (241)	36 in. Cap. with 1/4 in. Flare Nut	325 (2241)
P170AB-12				1/4 in. Male Flare Connector	
All-Range Control Models (For Noncorrosive Refrigerants)					
P70AB-1	SPST Open-Low	20 in. Hg to 100 psig (-68 to 690 kPa)	Minimum 7 (48) Maximum 50 (345)	1/4 in. Male Flare Connector	325 (2241)
P70AB-2				36 in. Cap. with 1/4 in. Flare Nut	
P70CA-1	SPST Open-High			36 in. Cap. with 1/4 in. Flare Nut	
P70EA-10	SPDT 1 to 3 Open-Low 1 to 2 Close-Low		5 (34) Fixed	1/4 in. Male Flare Connector	
P72AA-1	DPST Open-Low		Minimum 7 (48) Maximum 50 (345)	36 in. Cap. with 1/4 in. Flare Nut	
P72AB-1				1/4 in. Male Flare Connector	
P170AB-2	SPST Open-Low			1/4 in. Male Flare Connector	
P170CA-1	SPST Open-High				
All-Range Control Models (Ammonia Compatible)					
P70AA-5	SPST Open-Low	20 in. Hg to 100 psig (-68 to 690 kPa)	Minimum 7 (48) Maximum 50 (345)	1/4 in. SS Female NPT	325 (2241)
P70CA-4					
Low Pressure Control Models for High Pressure Non-Corrosive Refrigerants					
Model Number	Switch Action	Range psi (kPa)	Differential psi (kPa)	Pressure Connection	Maximum Working Pressure (MWP) psig (kPa)
P70AA-2	SPST Opens-Low	0 to 150 psig (0 to 1034 kPa)	Adjustable 10 to 70 (69 to 483)	36 in. Capillary with 1/4 in. Flare Nut	325 (2241)
P170AA-2				1/4 in. Male Flare Connector	

Electrical Ratings

Table 3: SPST Electrical Ratings (P70A, B, C, D, and P170A, B, C, D Type Models)

	Standard Single-Phase Ratings					Hermetic Compressor Single-Phase Ratings
	120 VAC	208 VAC	240 VAC	*480 VAC	*600 VAC	208/240 VAC
Motor Full-Load Amperes	24	18.7	17	5	4.8	24
Motor Locked-Rotor Amperes	144	112.2	102	30	28.8	144
Non-Inductive Amperes	22	22	22	--	--	--
Pilot Duty	125 VA at 120 to 600 VAC; 57.5 VA at 120 to 300 VDC					

* Not for compressor motor loads

Table 4: SPDT Electrical Ratings Standard Differential Switch (P70E Type Models)

	Standard Single-Phase Ratings			
	120 VAC	208 VAC	240 VAC	277 VAC*
Motor Full Load Amperes	16.0	9.2	8.0	7.0
Motor Locked Rotor Amperes	96.0	55.2	48.0	42.0
Non-Inductive Amperes	16.0	16.0	16.0	16.0
Pilot Duty	125 VA at 120 to 600 VAC			125 VA at 24 to 600 VAC

* Rating for P70EC models only

Table 5: 4-Wire, 2-Circuit Electrical Ratings (P70G, H, J, K, and P170K Type Models)

	Standard Single-Phase Ratings									
	Line-M2 (Main Contacts)						Line-M1 (Auxiliary Contacts)			
	120 VAC	208 VAC	240 VAC	277 VAC	*480 VAC	*600 VAC	120 VAC	208 VAC	240 VAC	277 VAC
Motor Full Load Amperes	16.0	9.2	8.0	--	5	4.8	6.0	3.3	3.0	--
Motor Locked Rotor Amperes	96.0	55.2	48.0	--	30	28.8	36.0	19.8	18.0	--
Non-Inductive Amperes	16.0	9.2	8.0	7.2	--	--	6.0	6.0	6.0	6.0
Pilot Duty (for both sets of contacts)	125 VA at 24 to 600 VAC; 57.5 VA at 120 to 300 VDC									

* Not for compressor motor loads

Table 6: DPST Electrical Ratings (P72A, B, C, and D Type Models)

	Standard Ratings							Hermetic Compressor Ratings	
	120 VAC 1Ø	208 VAC 1Ø	240 VAC 1Ø	208 VAC 3Ø	220 VAC 3Ø	*480 VAC 1Ø	*600 VAC 1Ø	208 VAC 1Ø	240 VAC 1Ø
Motor Full-Load Amperes	24	18.7	17	15.9	15	5	4.8	24	24
Motor Locked-Rotor Amperes	144	112.2	102	95.4	90	30	28.8	144	144
AC Non-Inductive Amperes	24	24	24	24	24	--	--	--	--
DC Non-Inductive Amperes	3	0.5	0.5	0.5	0.5	--	--	--	--
Pilot Duty	125 VA at 120 to 600 VAC; 57.5 VA at 120 to 300 VDC								

* Not for compressor motor loads

Technical Specifications

Product	P70, P72 and P170 Series Controls for Low Pressure Applications		
Switch Action	P70, P170: SPST; 4-wire/2-circuit; or SPDT PENN® switch		P72: DPST
Pressure Connection	P70, P72 Standard Models various connections available.	P170 Standard Models 1/4 in. SAE male flare	Ammonia Compatible Models 1/4 in. stainless steel female NPT connection
Ambient Temperature	P70E and P70F Type Models: 50 to 104°F (10 to 40°C) All Other Models: -40 to 140°F (-40 to 60°C)		
Case and Cover	NEMA 1 Enclosures: Case is galvanized steel; cover is plated and painted steel. NEMA 3R Enclosures: Case and cover are plated and painted steel.		
Dimensions (H x W x D)	NEMA 1 Enclosure: 3-1/4 x 4 x 2-1/16 in. (83 x 101 x 53 mm) NEMA 3R Enclosure: 4-1/16 x 4-1/16 x 2-15/16 in. (104 x 104 x 74 mm)		
Approximate Shipping Weight	Individual Pack: (NEMA 1 Enclosure) 2.4 lb (1.08 kg); Bulk Pack: (NEMA 1 Enclosure in multiples of 25 controls) 60 lb (27.2 kg)		
Compliance	For information on specific models, contact Refrigeration Application Engineering at 1-800-275-5676.		
Accessories	271-51 Universal Mounting Bracket (supplied with standard controls)		

The performance specifications are nominal and conform to acceptable industry standards. For application at conditions beyond these specifications, contact Refrigeration Application Engineering at 1-800-275-5676. Johnson Controls, Inc. shall not be liable for damages resulting from misapplication or misuse of its products.



Controls Group
507 E. Michigan Street
P.O. Box 423
Milwaukee, WI 53201

Published in U.S.A.
www.johnsoncontrols.com

Controles para Aplicaciones de Baja Presión Series P70, P72, y P170

Aplicación

Los Controles para Aplicaciones de Baja Presión de las Series P70, P72, y P170 proporcionan control de presión del lado bajo en aplicaciones de refrigeración comercial y de aire acondicionado.

IMPORTANTE: El propósito de los Controles para Aplicaciones de Baja Presión de las Series P70, P72, y P170 es de controlar equipo bajo condiciones normales de operación. Donde un mal funcionamiento o falla de un control de presión P70, P72, o P170 pueda resultar en una condición anormal de operación, que a su vez pueda causar lesión personal o daño al equipo u otra propiedad, se deben instalar otros aparatos (controles de límite o de seguridad) o sistemas (de alarma o supervisión) para advertir o proteger contra éstas fallas o mal funcionamiento del control de presión P70, P72, o P170, y mantenerse como parte del sistema de control.

Modelos de Tipo P70A y P170A con interruptor de Un Polo – Un Tiro (SPST) con acción Abre al bajar son los modelos más populares y se usan típicamente para una operación de Abre en baja y control de evacuación.

También **los modelos de la Serie P70 y P170** están disponibles con interruptor SPST con acción Abre al subir se usan típicamente para controlar capacidad. Los modelos de control con interruptor de Un Polo-Dos Tiros (SPDT) o 4 alambres – 2 circuitos permiten que los usuarios instalen aparatos de alarma u otros circuitos de control.

Los modelos de la Serie P72 tienen un interruptor de Dos Polos-Un Tiro (DPST) con contactos para llevar la carga que proporcionan control directo a motores monofásicos de 208-240 VCA hasta 3 HP, motores monofásicos de 480 VCA no de compresor y motores trifásicos de 208-220 VCA hasta 5 HP. Refiérase a la Tabla 6.

Estos controles están disponibles en varios rangos de presión y son compatibles con los refrigerantes más comunes. También se usan en aplicaciones de aire, agua, y otros líquidos no corrosivos. También tenemos modelos compatibles con amoníaco. Ver la Tabla 2.

La opción **MICRO-SET®** provee un ajuste refinado del diferencial para un control preciso de la presión en aplicaciones críticas de baja presión.

Algunos modelos están disponibles con **Ajuste de Perilla Limitado**, que restringe ajuste de la presión y evita un ajuste excesivo o el manejo inexperto. Vease *Ajuste de Perilla Limitado*.

El mecanismo de **Bloqueo de Restablecimiento Manual** no permite que el control se restablezca automáticamente después de llegar al punto de Desconexión, y proporciona la capacidad de apagado para

equipo no monitoreado. Ver *Ajuste de Operación de Restablecimiento Manual*.

Las **cajas NEMA 1** son estándar en la mayoría de los modelos.

Las **cajas NEMA 3R** están disponibles en ciertos modelos.



PRECAUCION: Riesgo de Daño al Equipo.

El amoníaco es muy corrosivo a componentes de cobre y latón. En aplicaciones de amoníaco se deben usar sólo modelos de control y conexiones de presión compatibles con amoníaco. El control de presión se debe instalar separadamente del gabinete eléctrico y se deben sellar todos los conductos eléctricos para evitar que el amoníaco se filtre a los componentes eléctricos.

Dimensiones

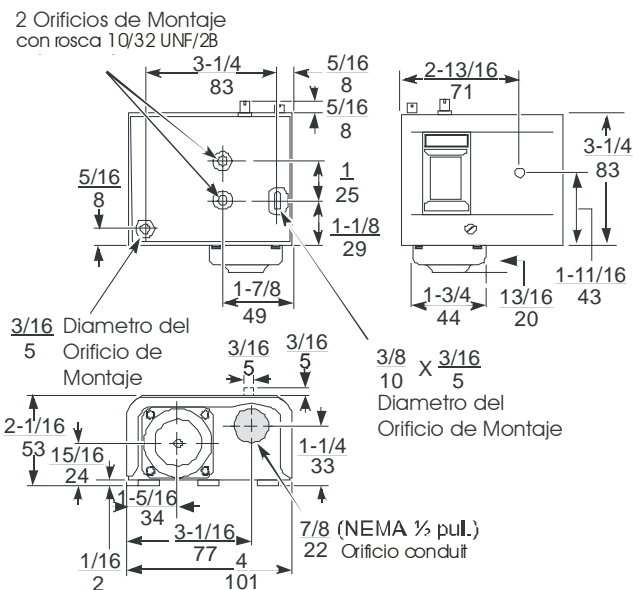


Figura 1: Dimensiones de los Controles de Presión P70, P72, y P170 con Cajas NEMA 1, pulg. (mm)

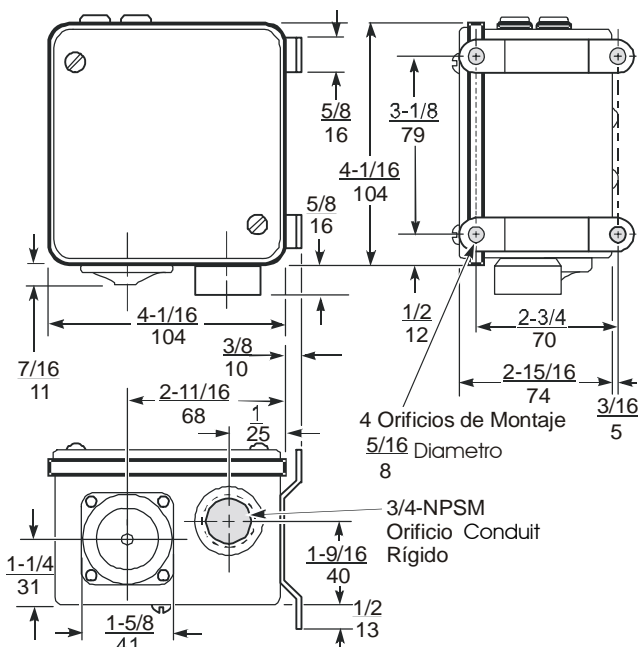


Figura 2: Dimensiones de los Controles de Presión P70, P72, y P170 con Cajas NEMA 3R, pulg. (mm)

Nota: Estas dimensiones son nominales y están sujetas a las tolerancias de manufactura y variables de la aplicación aceptadas.

Instalación

Instale el control en una posición accesible, donde el control y la línea de conexión de presión no estén sujetos a daños.

Instale el control de presión en una posición vertical y nivelada. Coloque la línea de conexión de presión de manera que se pueda drenar lejos del fuelle del control. Los puntos de entrada de la presión se deben localizar en el lado superior de la línea del refrigerante. Esto reduce la posibilidad de que el aceite, líquidos, o sedimento se acumulen en la conexión de presión o en el fuelle del control, que podría causar un mal funcionamiento del control.

Los controles con cajas NEMA 1 pueden que ser instalados en superficies planas, horizontales o verticales.

Use dos tornillos o pernos a través de los dos orificios exteriores en el reverso de la caja de control cuando se instale directamente en una superficie plana y vertical.

Use los dos orificios internos con el soporte de Instalación Universal, con los tornillos provistos, al instalar el control en una superficie plana y horizontal. Vea la Figura 3.

Los controles con cajas NEMA 3R están diseñados para instalarse en una posición nivelada y vertical, con el elemento sensor y la conexión conduit hacia abajo. Todos los empaques deben estar en su lugar. La instalación de las cajas NEMA 3R en cualquier otra posición que no sea vertical y nivelada puede atrapar agua en la caja y sumergir los componentes internos del control.

IMPORTANTE: Use sólo el tornillo de instalación proveído con el soporte de Instalación Universal para evitar daños a los componentes internos. No tuerza la caja de control cuando se instale el control en una superficie vertical irregular.

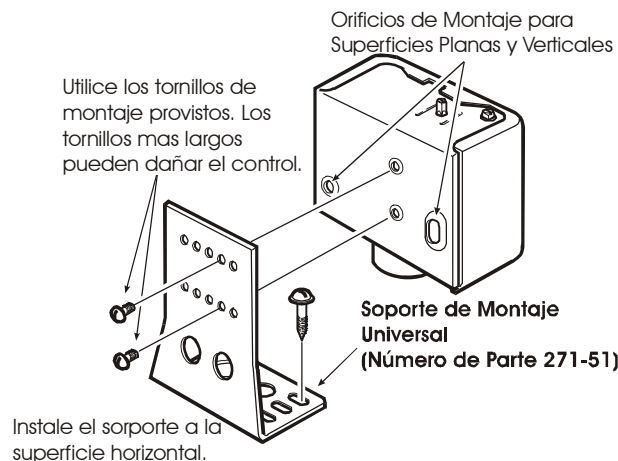


Figura 3: Instalación de los Controles de Presión Baja P70, P72 y P170 con Cajas NEMA 1 Conexiones de Presión

Los controles de baja presión P70, P72 y P170 se conectan al equipo controlado por medio de un capilar o manguera flexible (excepto los modelos para amoníaco), disponibles en diferentes estilos de conexión de presión.

Siga estas pautas cuando al instalar las líneas de conexión de presión:

IMPORTANTE: Si estos controles se instalan en equipo que contiene materiales peligrosos o regulados, tal como refrigerantes o lubricantes, el instalador y usuario deben observar todas las reglamentaciones que gobiernan el manejo y contención de esos materiales.

Evite Dobleces Agudos en el Tubo Capilar

Los dobleces agudos pueden debilitar los tubos del capilar, que resultarían en fugas u obstrucciones.

Permita Soltura en el Tubo Capilar

Dejar el tubo capilar un poco flojo puede ayudar a amortiguar la vibración mecánica que pueda debilitar o dañar los tubos capilares.

Enrolley Asegure el Exceso del Tubo Capilar

Cuidadosamente enrolle cualquier exceso de tubo capilar en bobinas lisas y redondas (aproximadamente de 2 a 3 pulg. [25 a 50 mm] de diámetro). Sujete el capilar enrollado.

Evite el Contacto entre el Tubo Capilar y Objetos Agudos o Abrasivos

La vibración de los objetos agudos o abrasivos que estén en contacto con los tubos capilares pueden resultar en fugas.

No Apriete Demasiado las Tuercas Abocinadas en los Conectores de la Línea de Presión

Si aprieta las conexiones abocinadas demasiado puede dañar los hilos de las tuercas abocinadas o los conectores abocinados y puede resultar en fugas. No exceda 9 pies-lb (12 Nm) de torque cuando se aprieten las conexiones de latón abocinadas.

Evite la Pulsación de Presión Severa en las Conexiones de Presión

Instale las líneas de conexión de presión que van a los puntos de entrada de presión lejos del compresor para minimizar los efectos de pulsación de presión en los compresores recíprocos.

IMPORTANTE: Después de instalar el control, vacíe las líneas del control y de desconexión de presión de acuerdo con los reglamentos locales, nacionales y regionales aplicables para remover el aire, humedad y otros contaminantes

Alambrado

Los controles P70, P72 y P170 para aplicaciones de presión baja están disponibles con varias opciones de interruptor y rangos eléctricos. Revise la etiqueta dentro de la tapa del control para el número del modelo, acción del interruptor, y clasificación eléctrica. Ver la Tabla 1 para las acciones de los interruptores y los modelos. Vea *Clasificaciones Eléctricas*.

Revise las designaciones de la terminales de alambrado en el interruptor del control, y refiérase a las siguientes pautas y al diagrama de alambrado aplicable cuando se instale el control.

⚠️ ADVERTENCIA: Riesgo de Descarga Eléctrica. Desconecte la corriente eléctrica antes de iniciar las conexiones eléctricas para evitar una posible descarga eléctrica. Puede ser necesario ejecutar más de una desconexión para desenergizar el control y el equipo.

IMPORTANTE: Ejecute todas las conexiones eléctricas de acuerdo al Código Eléctrico Nacional de los Estados Unidos (NEC) y todas las regulaciones locales. Sólo use conductores de cobre. No exceda la clasificación eléctrica del control.

IMPORTANTE: Use solo los tornillos de terminal proveídos con el interruptor. El uso de otros tornillos de terminal invalidará la garantía y puede dañar el interruptor.

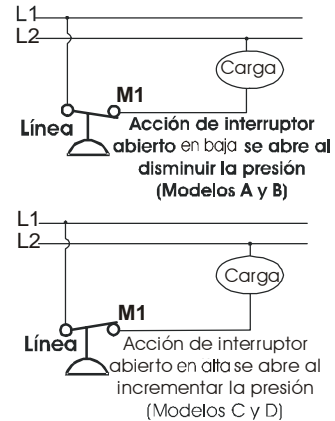


Figura 4: Alambrado Típico para Interruptor SPST Abierto en baja e Interruptor SPST Abierto en alta (Modelos P70A, B, C, D y P170A, C, D)

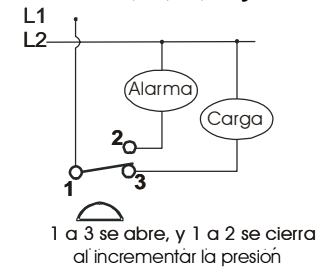


Figura 5: Alambrado Típico para Interruptor SPDT (Modelos P70E y F)

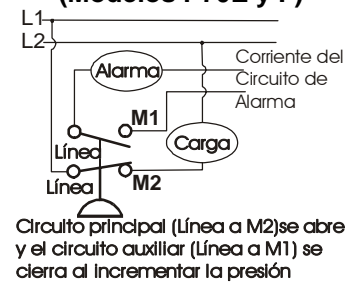


Figura 6: Alambrado Típico para Interruptor de 4 Alambres – 2 Circuitos (Modelos P70G y H)

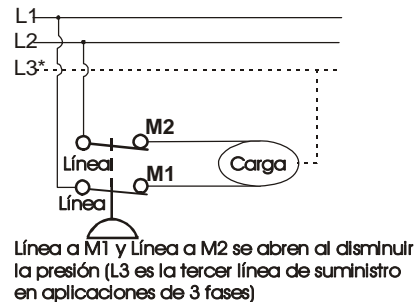


Figura 7: Alambrado Típico para Interruptor DPST (Modelos P72A y B)

Tabla 1: Controles de Presión Sencilla con Acción del Interruptor, Eventos Bajos, Eventos Altos, Tipos de Modelo, y Tabla de Referencia de Clasificación Eléctrica

Interruptor y Acción	Evento Bajo	Evento Alto	Tipos de Modelos – Tabla de Referencia de Clasificación Eléctrica
Un Polo-Un Tiro (SPST) Abierto en baja	Desconexión (Abre Línea a M1)	Conexión (Cierra Línea a M1)	P70A, P70B, P170A Ver Tabla 3.
SPST Abierto en alta	Conexión (Cierra Línea a M1)	Desconexión (Abre Línea a M1)	P70C, P70D, P170C, P170D Ver Tabla 3.
Un Polo-Dos Tiros (SPDT)	Abre 1 a 2 y Cierra 1 a 3	Cierra 1 a 2 y Abre 1 a 3	P70E Ver Tabla 4.
4-Alambres, 2-Circuitos, 1 N.A., 1 N.C. Abierto en baja	Desconexión (Abre M2 a Línea y Cierra M1 a Línea)	Conexión (Cierra M2 a Línea y Abre M1 a Línea)	P70G, P70H Ver Tabla 5.
4-Alambres, 2-Circuitos, 1 N.A., 1 N.C. Abierto en alta	Conexión (Cierra M2 a Línea y Abre M1 a Línea)	Desconexión (Abre M2 a Línea y Cierra M1 a Línea)	P70J, P70K, P170K Ver Tabla 5.
Dos Polos-Un Tiro (DPST) Abierto en baja	Desconexión (Abre M1 a Línea y M2 a Línea)	Conexión (Cierra M1 a Línea y M2 a Línea)	P72A, P72B Ver Tabla 6.
DPST Abierto en alta	Conexión (Cierra M1 a Línea y M2 a Línea)	Desconexión (Abre M1 a Línea y M2 a Línea)	P72C, P72D Ver Tabla 6.

Ajustes

El ajuste de los controles de baja presión P70, P72 y P170 varía, dependiendo del modelo. Las siguientes pautas y diagramas ilustran los procedimientos para ajustar estos controles. Refiérase a la etiqueta del producto dentro de la tapa del control para el número del modelo y la acción del interruptor, y revise el frente de la tapa del control para determinar si el control es un modelo Todo-Rango o MICRO-SET. Refiérase a la Tabla 1 para la acción del interruptor, evento bajo y evento alto de los diferentes modelos de control. Refiérase a la Figura 8 para una ilustración e instrucciones sobre los ajustes de control.

Ajuste de los Controles Todo-Rango

Los controles de presión de Rango Universal tienen escalas que despliegan los puntos de ajuste de Conexión y Desconexión. (Ver la escala visible en el control.) Gire el tornillo de rango para cambiar los puntos de ajuste de Conexión y Desconexión simultáneamente mientras se mantiene un diferencial de presión constante. Gire el tornillo del diferencial para ajustar (sólo) el evento bajo en el lado izquierdo de la escala (que cambia el valor de presión del diferencial).

Ajuste de los Controles MICRO-SET

Los controles de presión de lado de baja MICRO-SET tienen escalas que despliegan el punto de ajuste de Conexión y del Diferencial. (Ver la escala visible en el

control.) Gire el tornillo de rango para cambiar el punto de ajuste de Conexión en el lado derecho de la escala. Gire el tornillo del diferencial para cambiar el ajuste del diferencial en el lado izquierdo (que cambia el valor de presión de desconexión).

IMPORTANTE: No ajuste los indicadores más allá de las marcas ,mas alta y mas baja del indicador en la escala de presión del control. El ajuste de los indicadores más allá de éstas marcas puede dañar los hilos del tornillo y resultar en una operación incorrecta del control.

IMPORTANTE: Use los ajustes de control de presión recomendados por el fabricante del equipo que va a ser controlado. No exceda las clasificaciones de presión del equipo controlado ni de cualquiera de sus componentes al verificar la operación del control de presión o al operar el equipo controlado.

IMPORTANTE: Después de instalar y ajustar el control de presión, y antes de terminar la instalación, cicle el equipo controlado varias veces (por lo menos tres) bajo condiciones operacioneales normales. Use medidores de presión confiables para verificar los ajustes apropiados del control y la operación del equipo.

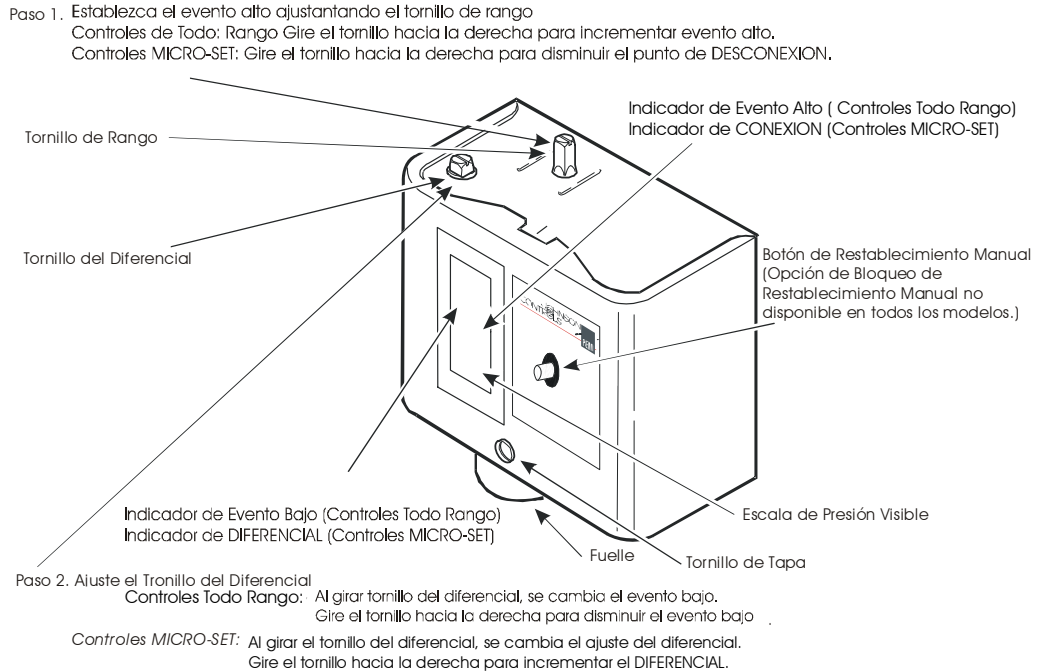


Figura 8: Ajuste de los Controles P70, P72 y P170 para Aplicaciones de Baja Presión

Ajuste de Perilla Limitado

Algunos modelos vienen provistos con un juego de herramientas para el Ajuste de Perilla Limitado que restringe los ajustes al control de presión y evita un ajuste excesivo o el mal manejo del control.

Para bloquear el ajuste del diferencial y permitir un ajuste limitado de los puntos de ajuste del evento bajo y evento alto, instale la perilla en el tornillo de rango.

Para bloquear el punto de ajuste del evento alto y permitir el ajuste limitado del punto de ajuste del evento bajo (en controles Todo Rango) o ajuste del diferencial (en controles MICRO-SET), instale la perilla en el tornillo de diferencial.

Para instalar el Juego de Herramientas para el Ajuste de Perilla Limitado:

1. Cambie los indicadores del control a los puntos de ajuste de evento alto y bajo deseado (en los controles de Todo Rango) o el ajuste de diferencial (en controles MICRO-SET).
2. Coloque el espaciador en el tornillo de ajuste apropiado.
 - Los controles Todo Rango (con el Juego de Herramientas para el Ajuste de Perilla Limitado) tienen tornillos de ajuste redondos y surcados; siempre coloque el espaciador en el tornillo de rango.

- Los controles MICRO-SET tienen tornillos de ajuste cuadrados. Siempre coloque el espaciador en el mismo tornillo de ajuste que la perilla.

3. Coloque la placa indicadora, como se muestra en la Figura 9, para fijar el tornillo de rango o el tornillo del diferencial en el ajuste deseado.
4. Instale la perilla en el otro tornillo de ajuste, y apriete el tornillo de ajuste. Un tope en el fondo de la perilla limita el ajuste del tornillo a menos de una vuelta.

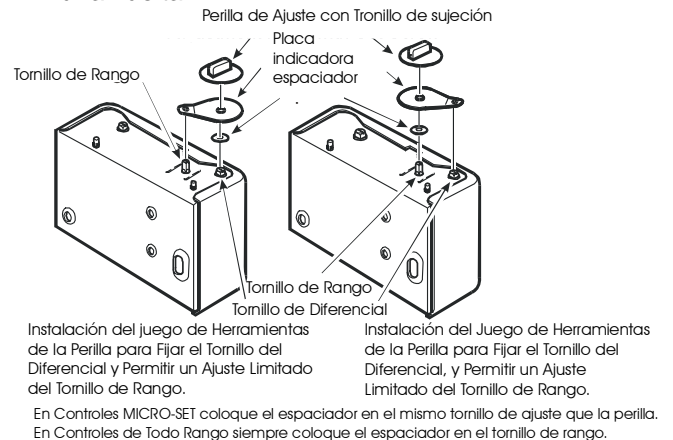


Figura 9: Instalación del Juego de Herramientas del Ajuste de Perilla Limitado

Operación de Restablecimiento Manual

Los controles de presión con la opción de Restablecimiento Manual se bloquean cuando se alcanzan la presión de Desconexión y deben restablecerse manualmente por el usuario para reiniciar el equipo controlado. El mecanismo de restablecimiento manual de movimiento Libre y no puede restablecerse al bloquear o sujetar el botón de restablecimiento.

En equipo con los controles bloqueados, determine y resuelve la razón del bloqueo, y permita que la presión detectada regrese al punto de ajuste de Conexión. Después, presione y suelte el botón de restablecimiento que se localiza al frente del control para restablecer la operación del equipo controlado.

Tabla 2: Modelos de Control P70, P72 y P170 Estándar para Aplicaciones de Baja Presión

Número del Modelo	Acción del Interruptor	Rango pulg. Hg a psig (kPa)	Diferencial psi (kPa)	Conexión de Presión	Ajuste de Perilla Limitado
Modelos de Control MICRO-SET (Para Refrigerantes No Corrosivos)					
P70AB-12	SPST Abierto en baja	12 pulg. Hg a 80 psig (-41 a 551 kPa)	Mínimo 5 (34) Máximo 35 (241)	Capilar de 36 pulg. con Tuerca abocinada de 1/4 pulg.	Juego de Herramientas sumistrado pero no ensamblado
P170AB-12				Conector Abocinado Macho de 1/4 pulg.	
Modelos de Control de Todo Rango (Para Refrigerantes No Corrosivos)					
P70AB-1	SPST Abierto en baja	20 pulg. Hg a 100 psig (-68 a 690 kPa)	Mínimo 7 (48) Máximo 50 (345)	Conector Abocinado Macho de 1/4 pulg.	Juego de Herramientas sumistrado pero no ensamblado
P70AB-2				Capilar de 36 pulg. con Tuerca abocinada de 1/4 pulg.	
P70CA-1	SPST Abierto en alta			Capilar de 36 pulg. con Tuerca abocinada de 1/4 pulg.	Ninguno
P70EA-10	SPDT 1 a 3 Abierto en baja 1 a 2 Cerrado en baja		5 (34) Fijo	Capilar de 36 pulg. con Tuerca abocinada de 1/4 pulg.	Ninguno
P72AA-1	DPST Abierto en baja		Mínimo 7 (48) Máximo 50 (345)	Capilar de 36 pulg. con Tuerca abocinada de 1/4 pulg.	Ninguno
P72AB-1					Perilla Instalada en Tornillo de Diferencial
P170AB-2	SPST Abierto en baja	Conector Abocinado Macho de 1/4 pulg.		Perilla Instalada en Tornillo de Diferencial	
P170CA-1	SPST Abierto en alta			Ninguno	
Modelos de Control de Todo Rango (Compatibles con Amoníaco)					
P70AA-5	SPST Abierto en baja	20 pulg. Hg a 100 psig (-68 a 690 kPa)	Mínimo 7 (48) Máximo 50 (345)	NPT Hembra de Acero Inoxidable de 1/4 pulg.	Ninguno
P70CA-4	SPST Abierto en alta				

Nota: Ver *Dimensiones y Especificaciones Técnicas* para mayor información que incluye Presión Operacional Máxima y las clasificaciones Máximas de Sobre-presión. Ver *Clasificaciones Eléctricas* para voltaje y límites de corriente para los interruptores de los controles.

Clasificaciones Eléctricas

Tabla 3: Clasificaciones Eléctricas del Interruptor SPST (Tipos P70A, B, C, D, y P170A, B, C, D)

	Clasificaciones de Motores Monofásicos Estándares					Clasificaciones para Compresor Hermético Monofásico
	120 VCA	208 VCA	240 VCA	*480 VCA	*600 VCA	208/240 VCA
Amperios del Motor con Carga Completa	20	18.7	17	5	4.8	20
Amperios del Motor con el Rotor Bloqueado	120	112.2	102	30	28.8	120
Amperios No Inductivos	22	22	22	--	--	--
Servicio Piloto	125 VA de 120 a 600 VCA; 57.5 VA a 120 hasta 300 VCD					

* No es para cargas de motores de compresores.

Tabla 4: Clasificaciones Eléctricas de Interruptor de Diferencial Estándar (Tipos P70E)

	Clasificaciones de Motores Monofásicos Estándares			
	120 VCA	208 VCA	240 VCA	277 VCA*
Amperios del Motor con Carga Completa	16.0	9.2	8.0	7.0
Amperios del Motor con el Rotor Bloqueado	96.0	55.2	48.0	42.0
Amperios No Inductivos	16.0	16.0	16.0	16.0
Servicio Piloto	125 VA de 120 hasta 600 VCA			125 VA de 24 hasta 600 VCA

* Clasificaciones para modelos P70EC solamente

Tabla 5: Clasificaciones Eléctricas de 4 Alambres – 2 Circuitos (Tipos P70G, H, J, K, y P170K)

	Clasificaciones de Motores Monofásicos Estándares									
	Línea-M2 (Contactos Principales)						Línea-M1 (Contactos Auxiliares)			
	120 VCA	208 VCA	240 VCA	277 VCA	*480 VCA	*600 VCA	120 VCA	208 VCA	240 VCA	277 VCA
Amperios del Motor con Carga Completa	16.0	9.2	8.0	--	5	4.8	6.0	3.3	3.0	--
Amperios del Motor con el Rotor Bloqueado	96.0	55.2	48.0	--	30	28.8	36.0	19.8	18.0	--
Amperios No Inductivos	16.0	9.2	8.0	7.2	--	--	6.0	6.0	6.0	6.0
Servicio Piloto (para ambos juegos de contactos)	125 VA de 24 a 600 VCA; 57.5 VA de 120 a 300 VCD									

* No es para cargas de motores de compresores

Table 6: Clasificaciones Electricas para DPST (Tipos P72A, B, C y D)

	Clasificaciones Estándares							Rangos para Compresor Hermético	
	120 VCA 1Ø	208 VCA 1Ø	240 VCA 1Ø	208 VCA 3Ø	220 VCA 3Ø	*480 VCA 1Ø	*600 VCA 1Ø	208 VCA 1Ø	240 VCA 1Ø
Amperios del Motor con Carga Completa	24	18.7	17	15.9	15	5	4.8	24	24
Amperios del Motor con el Rotor Bloqueado	144	112.2	102	95.4	90	30	28.8	144	144
Amperios No Inductivos CA	24	24	24	24	24	--	--	--	--
Amperios No Inductivos CD	3	0.5	0.5	0.5	0.5	--	--	--	--
Servicio Piloto	125 VA de 120 a 600 VCA; 57.5 VA de 120 a 300 VCD								

* No es para cargas de motores de compresores

Especificaciones Técnicas

Producto	Controles de la Series P70, P72 y P170 para Aplicaciones de Baja Presión		
Acción del Interruptor	P70, P170: SPST; 4-alambres/2-circuitos; or interruptor SPDT PENN®		P72: DPST
Conexión de Presión	Modelos Estándares P70, P72 disponibles con varias conexiones.	Modelos Estándares P170, conexión macho abocinado de 1/4 pulg. SAE	Modelos Compatibles con Amoníaco 1/4 pulg. NPT conexión hembra de acero inoxidable
Máxima Presión Operacional	Modelos de Todo Rango: 100 psig (690 kPa) Modelos MICRO-SET: 80 psig (551 kPa)		
Máxima Sobrepresión (no-recurrente)	Modelos de Todo Rango: 325 psig (2239 kPa) Modelos MICRO-SET: 525 psig (3617 kPa)		
Condiciones Ambientales	Tipos P70E y P70F: 50 a 104°F (10 a 40°C) Todos los Otros Modelos: -40 a 140°F (-40 a 60°C)		
Caja y Tapa	Cajas NEMA 1: Caja de acero galvanizado; tapa de acero cromado y pintado. Cajas NEMA 3R: Caja y tapa de acero cromado y pintado.		
Dimensiones (A x A x P)	Caja NEMA 1: 3-1/4 x 4 x 2-1/16 pul. (83 x 101 x 53 mm) Caja NEMA 3R: 4-1/16 x 4-1/16 x 2-15/16 pul. (104 x 104 x 74 mm)		
Peso de Embarque Aproximado	Empaque Individual: (Caja NEMA 1) 2.4 lb (1.08 kg); Empaque Multiple: (Caja NEMA 1 en multiples de 25 controles) 60 lb (27.2 kg)		
Listados de Agencias	Para información sobre modelos específicos, contacte al Departamento de Ingeniería de Aplicación de Refrigeración al 1-800-275-5676.		
Accesorios	Soporte de Instalación Universal 271-51 (proveído con controles estándares)		

Las especificaciones del desempeño son nominales y de acuerdo a estándares aceptables de la industria. Para aplicación en condiciones que estén fuera de éstas especificaciones, contáctese al Departamento de Ingeniería de Aplicación de Refrigeración al 1-800-275-5676. Johnson Controls, Inc. no será responsable de daños que resulten de una aplicación incorrecta o un mal uso de su productos.



Controls Group
507 E. Michigan Street
P.O. Box 423
Milwaukee, WI 53201

Publicado en EE.UU.
www.johnsoncontrols.com